

# User Guide

## Vaping and Smoke Detector (RA02G)

### 1. Content



1 x RA02G Device



1 x Power supply

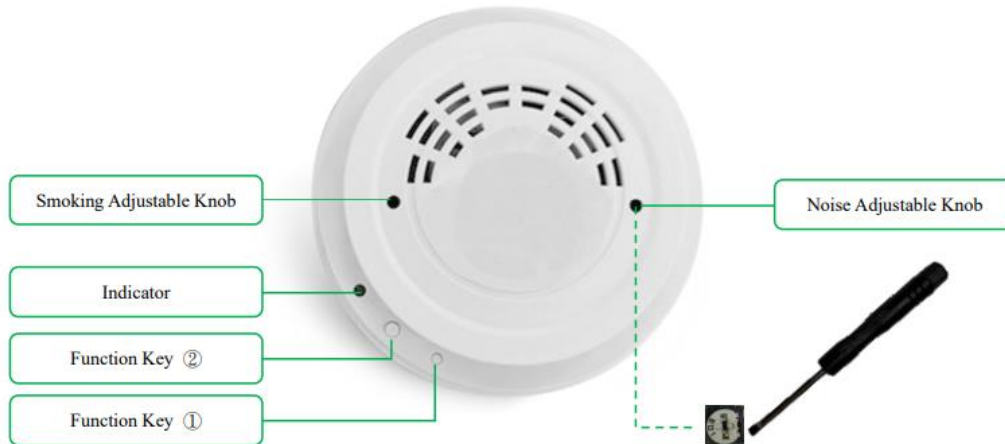


1 x 802.3af PoE splitter (optional)



1 x Vent

### 2. Presentation

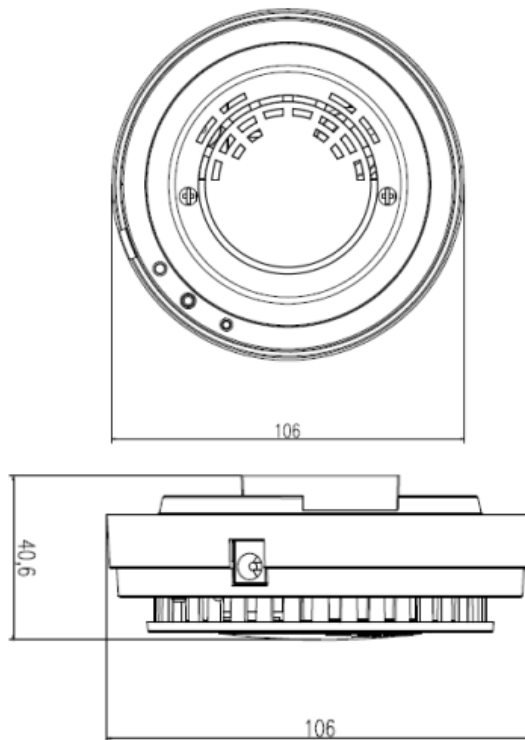


### 3. Power Button and LED Indicator Light

Function	Action	LED Indicator
----------	--------	---------------

Factory reset	Press and hold function button #1 for 5 seconds.	Flashes <b>Green</b> 20 times
Network Connection Indicator	Plug in the power supply	Connected: <b>Constant Green</b>
		Disconnected: Off
Vaping/Smoke Detection	Detection limit exceeded	Flashes <b>red</b> for 15 seconds
	Return to Acceptable Level	Extinct
Sound Anomaly Detection	Detection limit exceeded	Flashes <b>Green</b> for 15 seconds
	Return to Acceptable Level	Extinct
Assess data transmission	Quickly press the function button #2	Connected: Transmission of vaping data = TRUE + <b>Flashing red</b> for 7 seconds + Transmission of vaping data = FALSE.
		Disconnected: <b>Flashing red</b> for 7 seconds

#### 4. Dimensions (mm)



#### 5. Power supply

Connect the supplied power supply or connect the PoE splitter to the device, then wait for about 2 minutes while the device completes its boot sequence. When the LED indicator turns **green**, the setup is complete, and the device is running.

## 6. Installation

### Recommended Location

We recommend placing the device in a location where vaping is a recurring issue. The device has a detection range of approximately 15 x 15 x 8 feet.

We recommend seeing the steam circulation in the area to figure out if there is dissipation when it reaches the ceiling. Dissipation can delay the arrival of steam at the sensor and therefore the receipt of the alert. The unit should be positioned where steam reaches the ceiling.

### IMPORTANT:

- Do not install near active air vents/windows.



- Note that locations with unusual geometries will require multiple devices.

### Fixation

- The RA02G has a mounting module. Assemble it to the ceiling using screws or bolts and wing nuts.
- Once the mounting module is installed, simply assemble the unit by inserting it onto the locking pins and turning it counterclockwise.

The installer must ensure that the appliance is held firmly in place to prevent it from falling or being exposed.

A hole must also be drilled in the ceiling so that the power cable can be connected directly to the unit.

### IMPORTANT:

Make sure that the cable is not exposed during mounting, as this may cause the connection to be tampered with.

### Device Protection

Note that it is possible to install the appliance behind a ventilation grille to hide it.

### IMPORTANT:

- Never install the appliance behind a grille linked to the actual ductwork and ventilation system.

- Do not install in metal enclosures or other electrical equipment to avoid impairing wireless communication.
- Do not clean with chemicals or water. It is recommended to clean the device with a dry cloth.